



RV GenSet

- **Lightweight**
- **Gasoline or LP Fueled**
- **Quietest Generators of their Size**
- **Easy Maintenance with Single-Side Service**
- **Completely Enclosed, Quick, Easy to Install**
- **3-Year Limited Warranty**
- **Low Fuel Consumption**

Ratings and Models

Model	Fuel	Hz	RPM	Watts	Voltage	Amps	Phase	Circuit Breaker
2.8 KV-FA/6050*	Gasoline	60	3600	2800	120	23.3	1	25A
2.8 KV-FA/26100	Gasoline	60	3600	2800	120	23.3	1	25A
2.5 KV-FA/26120	LP Vapor	60	3600	2500	120	20.8	1	25A
2.3 KV-FR/33742	Gasoline	50	3000	2000	220	9.1	1	10A
2.0 KV-FR/26119	LP Vapor	50	3000	2000	220	9.1	1	10A

- Ratings apply to altitudes up to 500 ft (152.4 m), 85°F (29.4°C).

- Derating: Power output will decrease 3.5% for each 1,000 ft (305 m) above sea level and 1% for each 10°F (5.5°C) increase in ambient temperature above 85°F (29°C).

* Evaporative Spec: For trailer applications required to meet Tier III Evaporative Emissions of the California Air Resources Board.

Weight, Size and Sound Level

- **Weight:** 113 lbs (51 kg)
- **Size:** Length 24.0 in, Width 16.4 in, Height 12.3 in
- **Sound:** Readings at 10 ft (3 m) half load: 70 dB(A)

Standard Features

- Onan sound-attenuating enclosure
- Focalized mounting system with vibration isolators
- Cross-flo cooling
- Sheet steel drip controlling base
- Enclosed muffler
- USDA Forest Service approved spark arrestor muffler
- Adjustable mechanical governor
- Automatic choke
- Engine preheat
- Overhead valves
- Single-side service
- Low oil level shutdown
- Electric fuel pump (gasoline); electric solenoid (LP)
- Mounted control panel
- Sealed remote start connector
- Electric start
- Fused DC circuits to protect set wiring and remote control wiring
- Magnetic circuit breaker
- 50 in (1.3 m) generator output leads
- Solid-state ignition

Engine Detail

Model: Onan GH-200
Design: 4-cycle, single cylinder, overhead valve
Displacement: 12 in³ (197 cm³)
Compression Ratio: 8.5:1
Power: 7.0 bhp (max) at 3600 r/min
Cooling: Pressurized air
Fuel System: (Gasoline) electric fuel pump, fuel lift 3 ft (914 mm); (LP) Electric fuel solenoid; automatic choke
Combustion Air: 60 Hz: 12.5 ft³/m (0.35 m³/min) at 3600 r/min; 50 Hz: 10.4 ft³ (0.3 m³/min) at 3000 r/min
Average Fuel Consumption:

Gasoline	No Load		Half Load		Full Load	
	gph	l/h	gph	l/h	gph	l/h
60 Hz 2.8 KV	0.2	0.8	0.3	1.1	0.4	1.6
50 Hz 2.3 KV	0.2	0.8	0.2	0.9	0.4	1.5

LP	No Load			Half Load			Full Load		
	gal/h	lb/h	kg/h	gal/h	lb/h	kg/h	gal/h	lb/h	kg/h
60 Hz 2.5 KV	.2	.9	.4	.4	1.5	.7	.6	2.4	1.1
50 Hz 2.0 KV	.2	.9	.4	.3	1.3	.6	.5	1.9	1.0

Ignition System: Breakerless, electronic
Starting System: Remote, 12 V, 3-wire negative ground, start-stop rocker switch on control
 Connector for remote start cable
Lubrication: Splash lubrication
Oil Capacity: 1 qt (0.95 L)
 Low Oil Level Shutdown
Cylinder-Crankcase: Alloy aluminum with iron cylinder liner cast into the block
 Aluminum oil base
Cylinder Head: Alloy aluminum, removable

Generator Detail

Design: Onan 2-pole self-excited revolving field
 Permanently aligned to engine by a tapered shaft
 Drip-proof construction
Insulation System and Temperature Rise: Meets ANSI/RVIA EGS-1, BS-4999 standards, and CSA 946 standards
Cooling: Direct Drive Centrifugal Blower. Air required: Includes engine cooling air 300 ft³/m (8.5 m³/min) at 3600 r/min; 250 ft³/m (7.1 m³/min) at 3000 r/min

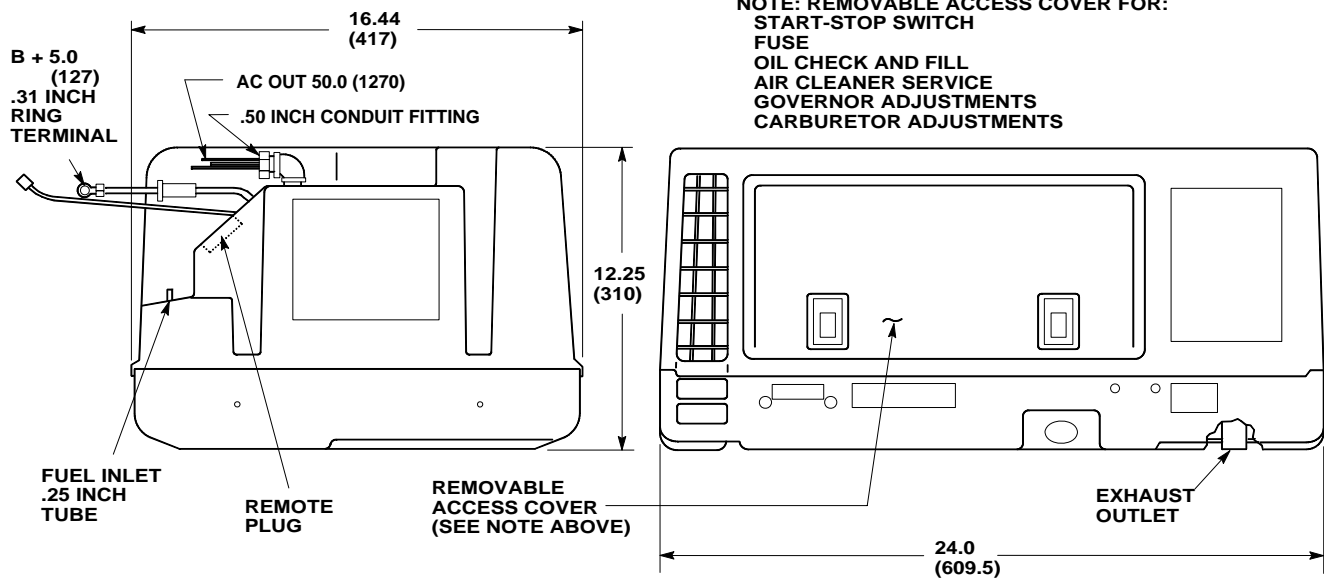
Rotor: Laminated electrical steel assembly press-fitted to shaft, balanced, heavy insulated copper wire windings
Stator: Laminated electrical steel assembly skewed for excellent waveform. Heavy insulated copper wire windings.
Voltage Regulator: Electronic
DC Brushes: Electrographitic

GenSet Performance

Air Conditioner Operation:
60 Hz: at 500 ft. (152.4 m and 100°F (38°C)). The 2.8 KV genset will start and run one approved 13500 BTU air conditioner (14.7 cooling amps or less) plus a 600-watt baseload, or one approved 11000 BTU air conditioner plus a 1000-watt baseload. The 2.5 KV genset will start and run one approved 13500 BTU air conditioner plus a 300-watt baseload.
50 Hz: at 500 ft. (152.4 m) and 100°F (38°C). The 2.0 KV will start and run one 7800 BTU air conditioner (5.5 cooling amps or less) with a 300-watt baseload.
See your Onan Distributor or Certified Onan Service Dealer for a listing of approved air conditioners.)

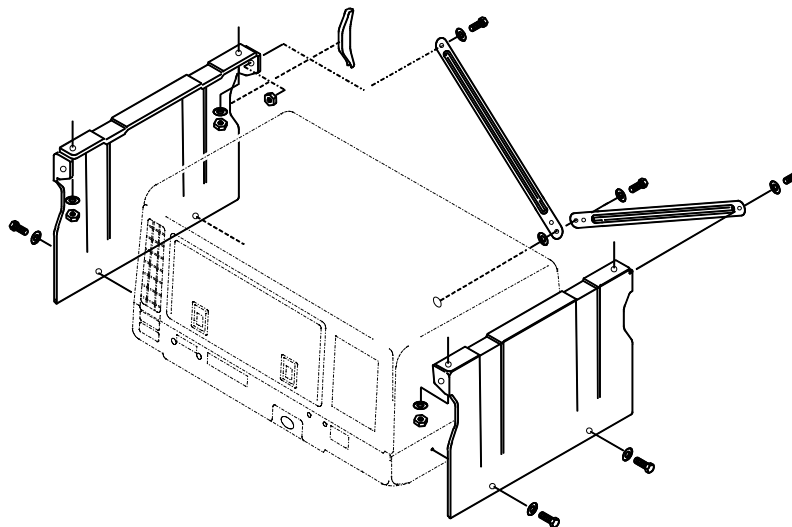
Voltage Regulation: Exceeds requirements of ANSI/EGS-1 ±10%
Frequency Regulation: Exceeds requirements of ANSI/RVIA EGA-1 ± 5%

Basic Dimensions



Dimensions in parentheses are millimeters. This outline drawing is provided for general reference only and is not intended for design or installation. For more information see installation manual or obtain outline drawing 500-2182 and wiring diagram from your Distributor/Dealer.

Underfloor Mounting Kit (Part #403-2689) Microlite 2800



CAUTION: Drawings are supplied for reference only and should not be used for design or installation.

Options and Accessories

- Remote start/stop rocker switch (P/N 300-4936)
- Remote Control with start/stop switch, and running time meter (P/N 300-4937)
- Remote control w/start/stop switch, and DC voltmeter (P/N 300-4938)
- Remote control plug and wire harness (10 ft - P/N 388-3489-01, 30 ft - P/N 338-3489-02)
- Battery, 12 V, 360 cold cranking amps at 0°F (-18°C) (P/N 416-0717)
- Under floor mounting kit (P/N403-2689)
- Tailpipe for 18-25 in exhaust installations (P/N 155-2174)
- Exhaust kit for installations over 2 in (P/N 155-2324)
- Exhaust resonator (P/N 155-2449)
- Exhaust down tube kit (PN 155-2425)
- Compartment mount installation template (P/N 539-1386)
- Under floor mount installation template (included in mounting kit P/N 403-2689) (P/N 539-0978)

Onan Testing for RV Application

Tested at extremes of temperature -20° F (-29° C) to 120° F (49° C) for starting and operation.
Tested with RV loads, air conditioners, microwaves, converter, TVs, VCRs.
Tested installed. Onan owns RVs used for product development testing.
Tested in high humidity conditions.
Tested in salt spray conditions.
Tested in heavy airborne dust conditions.
Field Test program.
60 Hz (120V only) models listed by SGS United States Testing Company, Inc. per ANSI/EGS-1 and CSA-certified per Electrical Bulletin 946.
Ratings apply to altitudes up to 500 ft (150 m), 85° F (29° C) ambient with muffler, in RV enclosure.
60 Hz models meet U.S. EPA and California emissions standards.



Operating Temperature Range

Gasoline sets will operate from -20°F (-29°C) to 120°F (49°C). LPG sets will operate from 0°F (-18°C) to 120°F (49°C). LPG set starting and operation below 32°F (0°C) depends upon LP tank capacity, surface area and butane content of LPG.

Warranty Policy

The Limited Warranty covers virtually everything except routine maintenance for the first two years you own your RV generator, and covers parts and labor on major power train and generator set parts during the third year. In addition, it also includes a free 90-day adjustment policy, which provides that Onan will make minor adjustments to your new genset during the first three months you own it - free of charge! Please note: The Onan 3-year Limited Warranty applies to RV generators used in RV applications only, and does not apply to RV generators used in commercial mobile applications.

For complete Onan Limited Warranty details see your Cummins Distributor or Onan Certified RV Service Dealer.

After Sale Support

For your ongoing satisfaction and the dependability of your Onan RV generator, Onan offers a complete line of replacement and tune-up parts and oil and maintenance chemicals specifically designed for RV generators. Easy to find at certified Onan RV Service and Parts Dealers coast-to-coast, Onan Green Label Parts™ are packaged for correct selection and convenient on-board storage.

EASY TO LOCATE ONAN CERTIFIED RV SERVICE AND PARTS DEALER - Onan has trained, tested, and certified over 1000 dealers covering most major metropolitan areas in the U.S. and Canada. To easily locate a certified dealer, no matter where you travel, call 1-800-888-ONAN and ask us to send you an RV Service and Parts Dealer Directory (F-919) or visit www.onan.com.

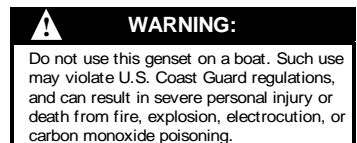


See Your Distributor for More Information:



Cummins Power Generation
1400 73rd Avenue N.E.
Minneapolis, MN 55432
763.574.5000
1-800-888-ONAN
Fax 763.574.8289
www.onan.com

Cummins Power Generation is a subsidiary of Cummins Inc.
Onan is a Registered Trademark of Cummins Inc.
Cummins Power Generation is a subsidiary of Cummins Inc.
Onan is a Registered Trademark of Cummins Inc.



WARNING: Backfeed to a utility system can cause electrocution and/or property damage. Do not connect to any building electrical except through an approved device or after building main breaker is open.