



RS 15000

Residential Standby GenSet

Model 16 GNAC

Gaseous Fueled 60 Hz



Residential GenSet

Very Quiet Operation - Less than 71 dB(A) at 7 m
Fully Automatic Operation when Used with an Onan Automatic Transfer Panel
Available for use with Natural Gas or LP Vapor
Powered by Heavy-Duty Onan Engine
Attractive and Discreet Housing
Electronic Governor for Precise Frequency Control
Includes 120 V Coolant Heater

Models and Ratings

<u>Order Model</u>	<u>Fuel</u>	<u>Voltage</u>	<u>Rated kW</u>	<u>kVa</u>	<u>Rated Amps</u>	<u>Circuit Breaker</u>
16 GNAC	Nat. Gas	120/240	14	14	116.6/58.3	70-Amp, 2-Pole
16 GNAC	LP Vapor	120/240	16	16	133.3/66.6	70-Amp, 2-Pole

Ratings apply to altitudes up to 1000 ft (152.4 m), 85°F (30°C). Total Power available will decrease 3.5% for each 1000 ft (305 m) above sea level and 2.0% for each 10°F (5.5°C) increase in ambient temperature above 85°F (30°C).

Weight, Size and Sound Level

- 1213 lb (550 kg)
- Length: 58 in (1473 mm); width: 28 in (711 mm); height: 37 in (940 mm)
- Less than 71 dB(A) at 7 m, average

Engine Facts

Engine: Onan heavy-duty, spark-ignited
Design: In-line 4-cylinder, liquid-cooled
Compression Ratio: 9.5
Displacement: 114 cu in (1900 cc)

Cooling System: 104°F (40°C) ambient cooling system
Oil Sump Capacity: 5.9 qt (5.6 L) with filter
Operating Speed: 1800 rpm

Engine Features

- Electronic ignition
 - Electronic governor
 - Full pressure lubrication
 - High-capacity oil sump, spin-on filter
 - Solenoid shift starter
 - 45-amp, engine-driven battery charger
-

Exhaust Muffler

- Fully enclosed exhaust silencer
 - Insulated heat shield
 - Ultra-low noise
-

Control System Features

- Automatic remote starting
 - Controls generator set starting and shutdown
 - Control components designed to withstand the vibration levels typical in generator sets
 - Field circuit breaker
 - High temperature, low oil pressure
 - Overcrank and overspeed shutdown
 - Running time meter
 - 75-A, UL-listed circuit breaker
 - DC control fuse
 - Time delay start/stop
 - Battery condition meter
-

Generator Details

Design: Brushless, revolving field, single bearing, 4-pole, drip-proof construction
Insulation System: Class F per NEMA MG1-1.65 and BS2757
Temperature Rise: At rated load is less than 105°C at standby rating, per NEMA MG1.22.40, IEEE 115 and IEC 34-1
Exciter Type: The excitation system derives its power from the main output of the generator, eliminating the need for a separate excitation power source
Alternator Cooling: Direct-drive centrifugal blower
Rotor: Supported by a pre-lubricated, maintenance-free ball bearing

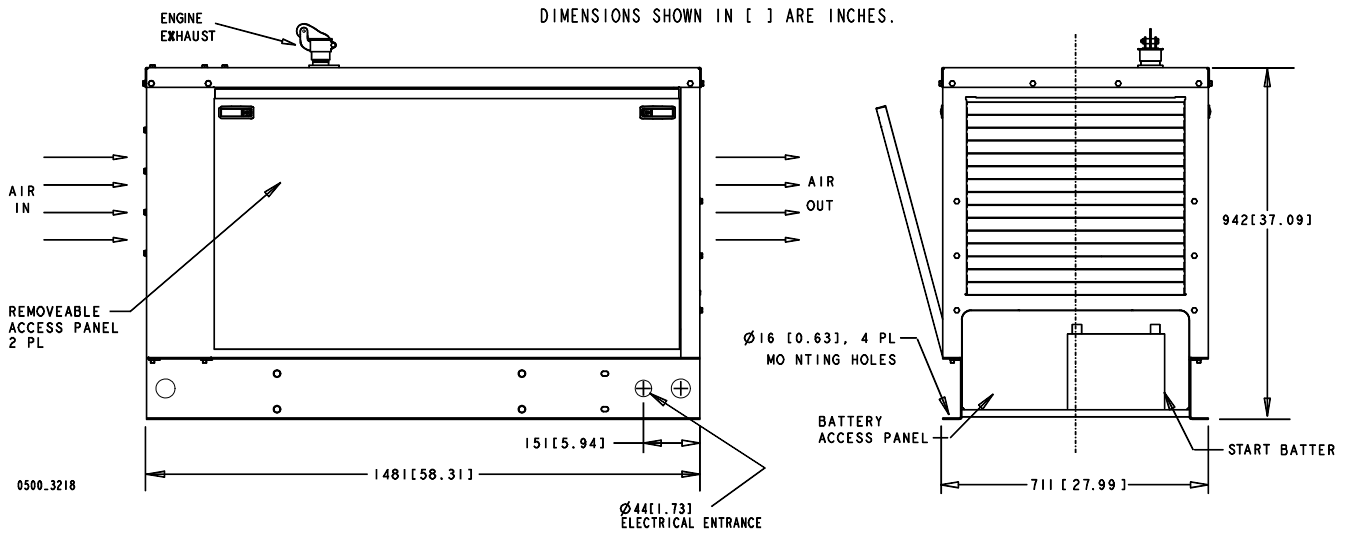
GenSet Performance

Voltage: 120/240 VAC single phase, 1.0 pf
Voltage Regulation: 2%
Frequency regulation: Isochronous, 0% no load to full load
Temperature range of operation: -20°F (-28.8°C) to 122°F (50°C)

Fuel Consumption

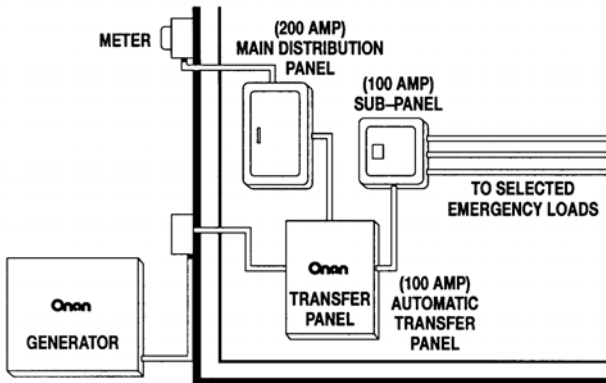
<u>Natural Gas</u>	<u>ft³/hr</u>	<u>m³/hr</u>	<u>LP Vapor</u>	<u>ft³/hr</u>	<u>m³/hr</u>	<u>gal/hr</u>	<u>L/hr</u>
25% Load:	101.4	2.9	25% Load:	42.6	1.2	1.2	4.5
50% Load:	134.6	3.8	50% Load:	57.6	1.6	1.6	6.1
75% Load:	171.4	4.9	75% Load:	75.0	2.1	2.1	7.9
Full Load:	205.7	5.8	Full Load:	86.7	2.4	2.4	9.1

Basic Dimensions

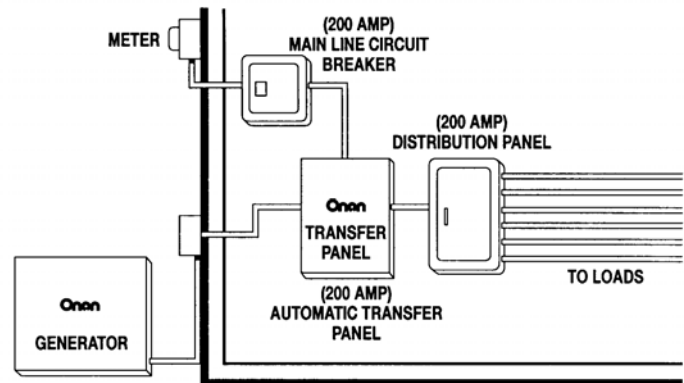


Drawing No. 0500-3218

Automatic Transfer Panel Configurations



Dedicated Emergency Standby Service System (100 amps)



Full Service Rating Standby System (200 amps)

Housing Features

- Weather protective design
- Two easy-access service doors - key lockable
- Internal starting battery tray and tie down
- Heavy-duty steel housing, stainless steel fasteners

Options and Accessories

- Battery, 12 V (Part #416-1038)
- Battery heater kit (Part #333-0469)
- Full line of complementing automatic transfer panels

Warranty Policy

The Onan RS 15000 Home Standby System comes with a standard one-year warranty. Additional two and five-year warranty options are available. See your certified dealer or distributor for details.

After Sale Support

GENUINE ONAN MAINTENANCE CARE PARTS AND PRODUCTS - For your ongoing satisfaction and the dependability of your Onan genset, Onan offers a complete line of parts, oil and maintenance chemicals specifically designed for Onan gensets and are available at your nearby Onan dealer.

EASY TO LOCATE CERTIFIED ONAN SERVICE AND PARTS DEALERS - Onan has trained, tested and certified over 1000 authorized Onan Service Dealers covering most major metropolitan areas in the U.S. and Canada. To easily locate the certified Onan Service Dealer no matter where you travel, call 1-800-888-ONAN or look in the yellow pages under "generators, electric".

See your distributor for more information



Cummins Power Generation
1400 73rd Avenue N.E.
Minneapolis, MN 55432
1-800-888-ONAN
Fax 763-574-5298
<http://www.cumminspower.com>



CSA-certified for electrical equipment. Meets CSA C22.2



Onan is a registered trademark of Cummins Inc.

Important: Backfeed to a utility system can cause electrocution and/or property damage. Do not connect to any building's electrical system except through an approved device or after building main switch is open. Standby Rating based on: Applicable for supplying emergency power for the duration of normal power interruption. No sustained overload capability is available for this rating. (Equivalent to Fuel Stop Power in accordance with ISO3046, AS2789, DIN6271, and BS5514.) Nominally rated. (See T-030 document for more information.)